

DMQC digital PTAC

DHPC digital PTHP

FOR 32" Wide x 18 5/16" Sleeves

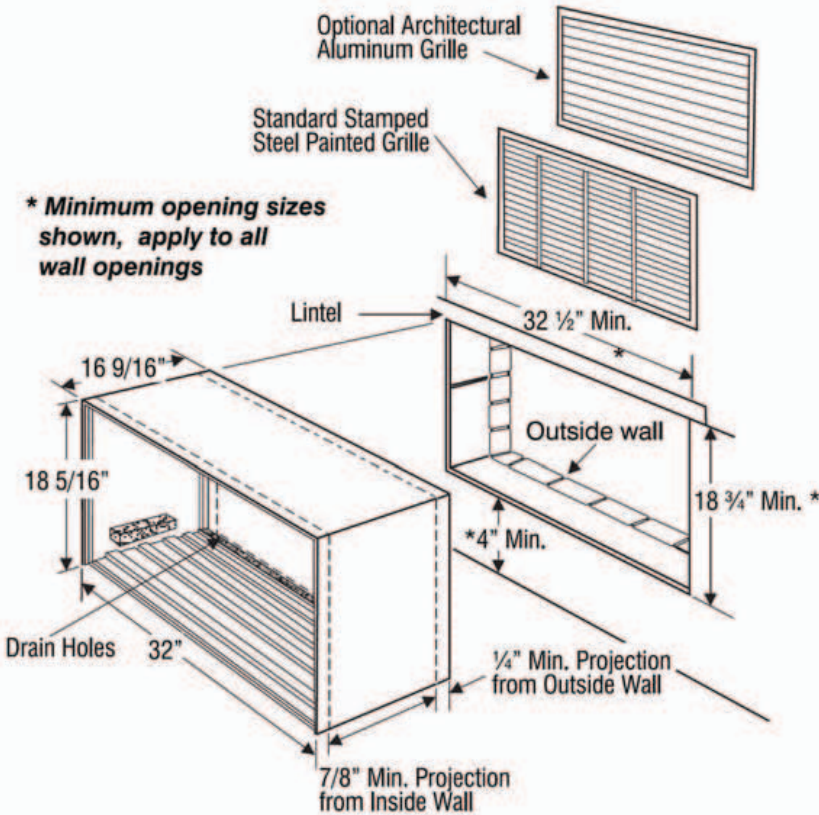
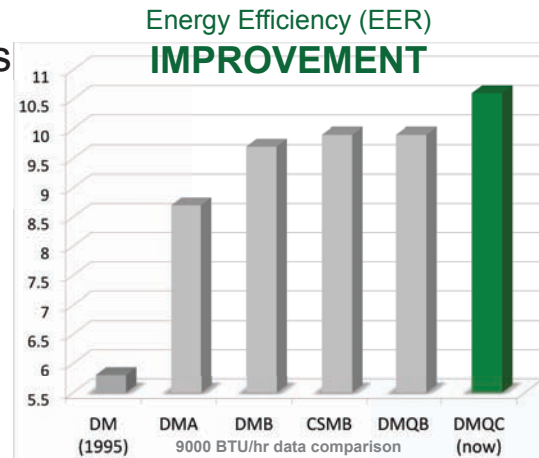
REPLACEMENT FOR // REMPLACEMENT POUR:

- DM, DHP - Applied Comfort™, Islandaire™
- CS, CSM, CHP - Applied Comfort™, ZoneAire™
- Climette - KeepRite™, ZoneAire™
- Seasonall, AP, AP-E, TWC - KeepRite™
- TPW - McQuay™
- C - Heil-Quaker™
- RC30 - RetroAire™
- AVT - Whirlpool™
- Wallmate 51P - Carrier™

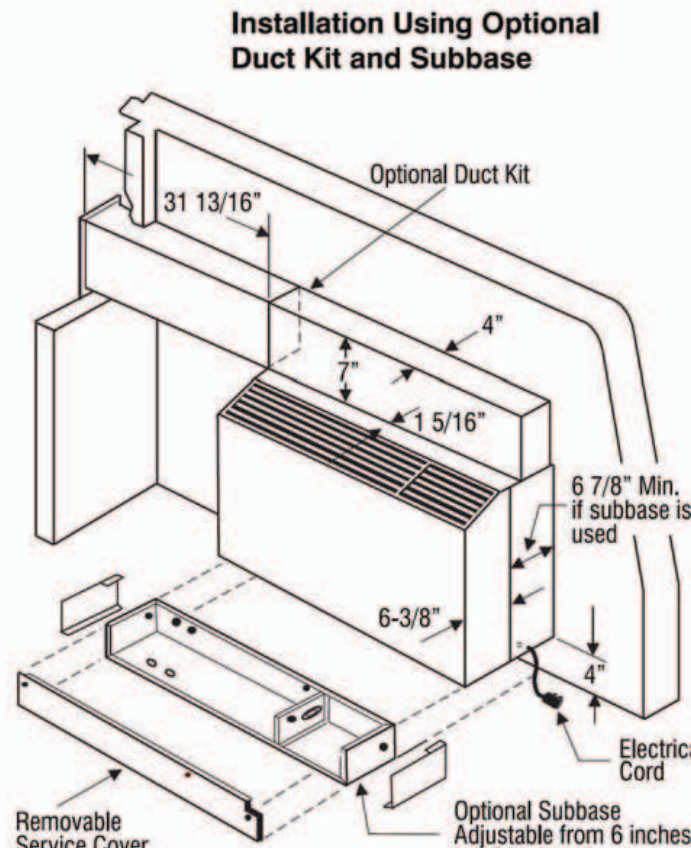


Re-Engineered, Re-Styled, and Loaded with Features

- + new premium component design with digital controls
- + front desk and energy management system ready
- + electronic temperature limiting
- + durable & contemporary metal front cover, grille, & door
- + energy efficient - no other replacement compares !



Masonry Wall Installation



Continuously improving the toughest, most dependable, most durable PTACs !



DMQC Electric DHPC Heatpump

32" WIDE X 18 5/16" SLEEVE SIZE
// CONÇU POUR MANCHON



DMQC 09 K 34 E

32" Replacement
// Remplacement
Electric Heat
// Chauffage électrique
Design // Conception C

Controls // Contrôles

S = Standard Unit-Mounted
// Mécanique
R = Wall Thermostat
// Contrôlé par un t'stat mural
E = Electronic // Électronique

Nominal Cooling BTUH
// Refroidissement en

BTUH nominal

09 = 9,000
12 = 12,000
15 = 15,000

Electric Resistance Heat kW
// Puissance de chauffage kW

00 = 0 34 = 3.4
25 = 2.5 40 = 4.0
30 = 3.0 50 = 5.0

Voltage // Tension

K = 230/208
R = 277/265

Premium components
for **reliability and durability**
// Composantes de première
qualité pour une fiabilité
et une durabilité accrues.

Acoustic noise cancelling
materials and optimized fan
designs for **unmatched comfort**
// Isolation acoustique
pour un fonctionnement
plus silencieux.



Electronic touchpad // Contrôlé électronique



- switchable to 24v remote thermostat
// option de recordement à un
thermostat mural 24 volts incluse
- EMS ready // option SGE incluse

Remote thermostat // Contrôle à distance



- on-chassis fan speed control
// contrôle de la ventilation sur l'appareil
- remote thermostat // contrôlé par
un thermostat mural

Mechanical // Mécaniques



DMQC Air Conditioner with Electric Heat

| Model // Modèle | Voltage // Tension | Hz | Cooling // Refroidissement | | | | Resistance Heat // Chauffage | | | Fuse // Fusible Amps | Indoor CFM // Intérieur Pi. ³ /min | Vent CFM // événement Pi. ³ /min | Net Wt. // Poids net lbs. |
|-----------------|--------------------|----|----------------------------|------------|---------|----------------------|------------------------------|---------|-----------|-------------------------|--|--|------------------------------|
| | | | BTU/Hr. | EER // REE | Amps | Pts./hr. // Chop./h. | BTU/Hr. | kW | Amps | | | | |
| DMQC09K00 | 230/208 | 60 | 9000 | 10.6 | 4.1/4.4 | 2.0 | N/A | N/A | N/A | 15 | 310 | 40 | 135 |
| DMQC09K25 | " | " | 9000 | 10.6 | 4.1/4.4 | 2.0 | 8800/7200 | 2.5/2.1 | 11.5/10.3 | 15 | " | " | " |
| DMQC09K34 | " | " | 9000 | 10.6 | 4.1/4.4 | 2.0 | 11900/9700 | 3.4/2.8 | 15.3/13.9 | 20 | " | " | " |
| DMQC09K50 | " | " | 9000 | 10.6 | 4.1/4.4 | 2.0 | 17300/14200 | 5.0/4.1 | 22.3/20.2 | 30 | " | " | " |
| DMQC12K34 | " | " | 11700 | 9.8 | 5.5/5.8 | 3.3 | 11900/9700 | 5.0/4.1 | 15.3/13.9 | 20 | " | " | " |
| DMQC15K50 | " | " | 13700 | 9.1 | 7.2/7.5 | 4.3 | 17300/14200 | N/A | 22.3/20.2 | 30 | " | " | " |
| DMQC09R00 | 277 | " | 9000 | 10.6 | 3.7 | 2.0 | N/A | N/A | N/A | 15 | 300 | " | " |
| DMQC09R30 | " | " | 9000 | 10.6 | 3.7 | 2.0 | 10500 | 3.0 | 11.3 | 15 | " | " | " |
| DMQC09R34 | " | " | 9000 | 10.6 | 3.7 | 2.0 | 11900 | 3.4 | 12.8 | 20 | " | " | " |
| DMQC09R40 | " | " | 9000 | 10.6 | 3.7 | 2.0 | 13900 | 4.0 | 15 | 20 | " | " | " |
| DMQC12R34 | " | " | 11700 | 9.8 | 5 | 3.3 | 11900 | 3.4 | 12.8 | 20 | " | " | " |
| DMQC15R40 | " | " | 13700 | 9.1 | 6.5 | 4.3 | 13900 | 4.0 | 15 | 20 | " | " | " |



Other heater sizes are available. Consult our website or contact us directly for further information. // D'autres puissances de chauffage sont également disponibles de même qu'un modèle sans chauffage. Pour de plus amples renseignements, veuillez consulter notre site internet or communiquer directement avec nous.

DHPC Heat Pump with Electric Resistance Backup Heat

| Model // Modèle | Voltage // Tension | Hz | Cooling // Refroidissement | | | | Reverse-Cycle Heat // Chauffage | | Resistance Heat // Chauffage | | | Fuse // Fusible Amps | Indoor CFM // Intérieur Pi. ³ /min | Vent CFM // événement Pi. ³ /min | Net Wt. // Poids net lbs. |
|-----------------|--------------------|----|----------------------------|------------|---------|----------------------|---------------------------------|-----|------------------------------|---------|-----------|-------------------------|--|--|------------------------------|
| | | | BTU/Hr | EER // REE | Amps | Pts./hr. // Chop./h. | BTU/Hr. | COP | BTU/Hr. | kW | Amps | | | | |
| DHPC12K34 | 230/208 | 60 | 11800 | 9.1 | 6.0/6.3 | 3.1 | 11500 | 3.2 | 12200/10000 | 3.4/2.8 | 15.4/14 | 20 | 410 | 40 | 135 |
| DHPC15K50 | " | " | 13800 | 8.9 | 7.8/8.2 | 4.0 | 13500 | 2.9 | 17700/14500 | 5.0/4.1 | 22.3/20.2 | 30 | " | " | " |
| DHPC12R34 | 277v | " | 11800 | 9.1 | 5.5 | 3.1 | 11500 | 3.2 | 12200 | 3.4 | 12.8 | 20 | " | " | " |
| DHPC15R40 | " | " | 13800 | 8.9 | 7.1 | 4.0 | 13500 | 2.9 | 14300 | 4.0 | 15 | 20 | " | " | " |

Other backup heater sizes are available. Consult our website, or contact us directly for further information. // D'autres puissances de chauffage sont également disponibles de même qu'un modèle sans chauffage. Pour de plus amples renseignements, veuillez consulter notre site internet or communiquer directement avec nous.

HIGHEST EFFICIENCY
// GRANDE EFFICACITÉ

ptacs.com

HIGHEST RELIABILITY
// HAUTE FIABILITÉ